

CLIENT MEASUREMENTS (all measurements without cushion)

SEAT WIDTH SELECTION - in mm; measured from outside frame tube to outside frame tube

320	340	360	380	400	420	440	460
<input type="radio"/>	<input type="radio"/>	<input type="radio"/>	<input type="radio"/>	<input type="radio"/>	<input type="radio"/>	<input type="radio"/>	<input type="radio"/>

SEAT DEPTH SELECTION - in mm

340	360	380	400	420	440	460	480
<input type="radio"/>	<input type="radio"/>	<input type="radio"/>	<input type="radio"/>	<input type="radio"/>	<input type="radio"/>	<input type="radio"/>	<input type="radio"/>

FRONT SEAT HEIGHT SELECTION - in dependance of front castor size, fork, frame height version

The high frame is 40 mm higher than the low frame.

Front seat height in mm

		Fork (length)	Frame:	430	440	450	460	470	480	490	500	510	520	530	540	550	
Front Castor	3"	111 mm	low	<input type="radio"/>	<input type="radio"/>	<input type="radio"/>											
		123 mm			<input type="radio"/>	<input type="radio"/>	<input type="radio"/>										
		Frog Leg					<input type="radio"/>	<input type="radio"/>									
		One Arm		<input type="radio"/>	<input type="radio"/>	<input type="radio"/>											
		111 mm	high				<input type="radio"/>	<input type="radio"/>	<input type="radio"/>								
		123 mm							<input type="radio"/>	<input type="radio"/>	<input type="radio"/>						
		Frog Leg										<input type="radio"/>	<input type="radio"/>				
		One Arm					<input type="radio"/>	<input type="radio"/>	<input type="radio"/>								
	4"	111 mm	low		<input type="radio"/>	<input type="radio"/>	<input type="radio"/>	<input type="radio"/>									
		123 mm				<input type="radio"/>	<input type="radio"/>	<input type="radio"/>	<input type="radio"/>								
		Frog Leg						<input type="radio"/>	<input type="radio"/>	<input type="radio"/>							
		One Arm			<input type="radio"/>	<input type="radio"/>	<input type="radio"/>	<input type="radio"/>									
		111 mm	high						<input type="radio"/>	<input type="radio"/>	<input type="radio"/>	<input type="radio"/>					
		123 mm								<input type="radio"/>	<input type="radio"/>	<input type="radio"/>	<input type="radio"/>				
		Frog Leg											<input type="radio"/>	<input type="radio"/>	<input type="radio"/>		
		One Arm							<input type="radio"/>	<input type="radio"/>	<input type="radio"/>	<input type="radio"/>					
	5"	111 mm	low				<input type="radio"/>	<input type="radio"/>	<input type="radio"/>								
		123 mm						<input type="radio"/>	<input type="radio"/>	<input type="radio"/>							
		Frog Leg							<input type="radio"/>	<input type="radio"/>	<input type="radio"/>						
		One Arm					<input type="radio"/>	<input type="radio"/>	<input type="radio"/>								
		111 mm	high							<input type="radio"/>	<input type="radio"/>	<input type="radio"/>	<input type="radio"/>				
		123 mm									<input type="radio"/>	<input type="radio"/>	<input type="radio"/>	<input type="radio"/>			
		Frog Leg											<input type="radio"/>	<input type="radio"/>	<input type="radio"/>		
		One Arm										<input type="radio"/>	<input type="radio"/>	<input type="radio"/>	<input type="radio"/>		
6"	123 mm	high										<input type="radio"/>	<input type="radio"/>	<input type="radio"/>			
	Frog Leg												<input type="radio"/>	<input type="radio"/>	<input type="radio"/>		

REAR SEAT HEIGHT SELECTION - in dependance of rear wheel size

The rear seat height is adjustable ± 10 mm.

The rear seat height can only be between 0 mm and 110 mm below the selected front seat height.

Caution: with rear seat heights 460 mm and above, the width between the sideguards increases by 35 mm

Rear seat height in mm

Rear Wheels	380	390	400	410	420	430	440	450	460	470	480	490	500
24"	<input type="radio"/> ⁽¹⁾	<input type="radio"/> ⁽²⁾	<input type="radio"/> ⁽²⁾	<input type="radio"/>	<input type="radio"/>	<input type="radio"/>	<input type="radio"/>	<input type="radio"/>	<input type="radio"/>	<input type="radio"/>	<input type="radio"/>	<input type="radio"/> ⁽³⁾	
25"		<input type="radio"/> ⁽¹⁾	<input type="radio"/> ⁽²⁾	<input type="radio"/> ⁽²⁾	<input type="radio"/>	<input type="radio"/>	<input type="radio"/>	<input type="radio"/>	<input type="radio"/>	<input type="radio"/>	<input type="radio"/>	<input type="radio"/>	<input type="radio"/> ⁽³⁾

(1): No adjustment of rear seat-height possible

(2): No downwards-adjustment of rear-seat-height possible. Only +1 cm adjustable.

(3): No upwards-adjustment of rear-seat-height possible. Only -1 cm adjustable.

SEAT UPHOLSTERIES AND CUSHIONS**Seat Sling**

KRR020012	<input type="radio"/> Seat sling "airflow" with 1 utility bag		
KRR020019	<input type="radio"/> Seat sling "airflow" superlight. Without bags, max user weight 85kg	(1)	(L)
KRR020017	<input type="checkbox"/> Seat sling "airflow" with 2 utility bags		131
KRR020018	<input type="checkbox"/> Seat sling "airflow" with utility bag and catheter bag		131 <i>(from SW 340mm)</i>
KRR020000	<input type="radio"/> Without seat sling		

Seat cushion black cover

Foam: (medium soft)	Thickness:	KRR020101	<input type="checkbox"/> 30 mm	KRR020102	<input type="checkbox"/> 50 mm	80
Latex: (very soft)	Thickness:	KRR020103	<input type="checkbox"/> 50 mm			80

JAY Cushions - for complete product range see Jay order forms

JAY020002	<input type="checkbox"/> JAY Basic	69
JAY020003	<input type="checkbox"/> JAY Soft Combi P	98
JAY020001	<input type="checkbox"/> JAY Easy Visco, Curved Base	167
JAY020007	<input type="checkbox"/> JAY Easy Fluid, Curved Base	272
JAY020004	<input type="checkbox"/> JAY Lite	389

Seat accessories

KRR090018	<input type="checkbox"/> Positioning belt (only with Standard backrest)	51
-----------	---	----

BACKREST

KRR030001	<input type="radio"/> Standard backrest (aluminium, black) Choose back height factory setting (mm). Height adjustments possible in the range 250-300; 300-400; 400-450 mm.																		
		<table border="1"> <thead> <tr> <th>250 - 300</th> <th>300 - 350</th> <th>350 - 400</th> <th>400 - 450</th> </tr> </thead> <tbody> <tr> <td><input type="radio"/> 250</td> <td><input type="radio"/> 300</td> <td><input type="radio"/> 350</td> <td><input type="radio"/> 400</td> </tr> <tr> <td><input type="radio"/> 275</td> <td><input type="radio"/> 325</td> <td><input type="radio"/> 375</td> <td><input type="radio"/> 425</td> </tr> <tr> <td><input type="radio"/> 300</td> <td><input type="radio"/> 350</td> <td><input type="radio"/> 400</td> <td><input type="radio"/> 450</td> </tr> </tbody> </table>	250 - 300	300 - 350	350 - 400	400 - 450	<input type="radio"/> 250	<input type="radio"/> 300	<input type="radio"/> 350	<input type="radio"/> 400	<input type="radio"/> 275	<input type="radio"/> 325	<input type="radio"/> 375	<input type="radio"/> 425	<input type="radio"/> 300	<input type="radio"/> 350	<input type="radio"/> 400	<input type="radio"/> 450	
250 - 300	300 - 350	350 - 400	400 - 450																
<input type="radio"/> 250	<input type="radio"/> 300	<input type="radio"/> 350	<input type="radio"/> 400																
<input type="radio"/> 275	<input type="radio"/> 325	<input type="radio"/> 375	<input type="radio"/> 425																
<input type="radio"/> 300	<input type="radio"/> 350	<input type="radio"/> 400	<input type="radio"/> 450																

KRR030006	<input type="checkbox"/> Carbon backrest - fixed height, crosstube very close to the upholstery, "Krypton" rubber grip (2) (L) Choose back height (mm) no height adjustment possible.		281									
		<table border="1"> <tbody> <tr> <td><input type="radio"/> 250</td> <td><input type="radio"/> 325</td> <td><input type="radio"/> 400</td> </tr> <tr> <td><input type="radio"/> 275</td> <td><input type="radio"/> 350</td> <td><input type="radio"/> 425</td> </tr> <tr> <td><input type="radio"/> 300</td> <td><input type="radio"/> 375</td> <td><input type="radio"/> 450</td> </tr> </tbody> </table>	<input type="radio"/> 250	<input type="radio"/> 325	<input type="radio"/> 400	<input type="radio"/> 275	<input type="radio"/> 350	<input type="radio"/> 425	<input type="radio"/> 300	<input type="radio"/> 375	<input type="radio"/> 450	
<input type="radio"/> 250	<input type="radio"/> 325	<input type="radio"/> 400										
<input type="radio"/> 275	<input type="radio"/> 350	<input type="radio"/> 425										
<input type="radio"/> 300	<input type="radio"/> 375	<input type="radio"/> 450										

KRR030102	<input type="checkbox"/> Backrest, angle-adjustable, fold-down, locked when folded, colour: <i>(-31° to +15°)</i> Colour: ● Black ○ Orange ○ Silver ○ Red ○ Blue KRR030036 KRR030037 KRR030038 KRR030039		65
-----------	--	--	----

KRR030012	<input type="radio"/> Backrest, angle-adjustable (non foldable) <i>(-31° to +15°)</i> <i>(only in black anodizing)</i>		
KRR030015	<input type="radio"/> Backrest, angle-adjustable, fold-down <i>(-31° to +15°)</i> <i>(only in black anodizing)</i>		

Push handles: choose only one option

KRR030200	<input type="radio"/> Omit push handles (L)		
KRR030203	<input type="checkbox"/> Fold-down push handles <i>(from 325mm backrest-height)</i>		131
KRR030201	<input type="checkbox"/> Push handles long		131
KRR030204	<input type="checkbox"/> Height adj. push handles (+) <i>(only with Standard backrest; from 325mm backrest height)</i>		262
KRR030205	<input type="checkbox"/> Height adj. push handles for Jay backs (+) <i>(only with Standard backrest; from 325mm backrest height)</i>		262

Backrest upholstery

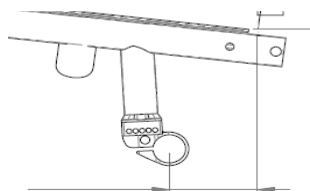
KRR030005	<input type="radio"/> EXO superlight Backrest sling, synthetic fibre, padded, adjustable, black (Evo Exo Version) (L) Colour, binding tape: ● Black ○ Orange ○ Silver ○ Red ○ Blue		
KRR030316	<input type="radio"/> EXO Backrest sling, synthetic fibre, padded, adjustable, 1 accessory bag, black (Evo Exo Version) Colour, binding tape: ● Black ○ Orange ○ Silver ○ Red ○ Blue		
KRR030317	<input type="checkbox"/> EXO PRO Backrest, synthetic fibre, padded, adj., breathable, spacer fabric, 1 accessory bag, black (Evo Exo Version) Colour, binding tape: ● Black ○ Orange ○ Silver ○ Red ○ Blue		178
KRR030000	<input type="radio"/> Without backrest upholstery		

(1): **Max. user weight 85 kg, only available up to seat-width 400 mm**(2): **Not with height adj push handles, not with Jay J3 backs, not with positioning-belt****(L)= lightest option (+)= adds 500 g or more to the wheelchair-weight**

				£			
JAY 3 BACKS AND ACCESSORIES - only with Standard backrest (+)							
Jay 3 Back - Shallow Contour							
Mid Thoracic:	<input type="checkbox"/> JAY030010	Medium - 340 mm	<input type="checkbox"/> JAY030033	Tall - 380 mm	640		
Upper Thoracic:	<input type="checkbox"/> JAY030012	Short - 420 mm	<input type="checkbox"/> JAY030019	Medium - 460 mm	<input type="checkbox"/> JAY030025	Tall - 500 mm	724
Jay 3 Back - Mid Contour							
Mid Thoracic:	<input type="checkbox"/> JAY030011	Medium - 340 mm	<input type="checkbox"/> JAY030018	Tall - 380 mm	640		
Upper Thoracic:	<input type="checkbox"/> JAY030013	Short - 420 mm	<input type="checkbox"/> JAY030020	Medium - 460 mm	<input type="checkbox"/> JAY030026	Tall - 500 mm	724
Jay 3 Carbon Back - Shallow Contour							
Lower Thoracic:	<input type="checkbox"/> JAY060001	Short - 170 mm	<input type="checkbox"/> JAY060002	Tall - 240 mm	766		
Mid Thoracic:	<input type="checkbox"/> JAY060003	Short - 300 mm	<input type="checkbox"/> JAY060004	Tall - 380 mm	766		
Accessories for JAY 3 Backs							
WHT030415	<input type="checkbox"/> Whitmyer Headrest, COBRA XTRA, flip back			<i>(only with Jay 3 backs)</i>	322		
WHT030416	<input type="checkbox"/> Whitmyer Headrest, AXYS, Standard			<i>(only with Jay 3 backs)</i>	175		
JAY090058	<input type="checkbox"/> JAY Accessory bag			<i>(only with Jay 3 Carbon backs)</i>	58		
SIDEGUARDS AND ARMRESTS							
KRR040107	<input type="radio"/> Sideguard, composite, removable, 21 cm high (31 cm long), black						
KRR040101	<input type="checkbox"/> Sideguard, carbon fibre, slim, black	(1)	(L)		244		
KRR040102	<input type="checkbox"/> Sideguard, aluminium, cold weather protection (colour: black, matt)				213		
KRR040103	<input type="checkbox"/> Sideguard, aluminium, fender, cold weather protection (colour: black, matt)			<i>(min rear seat height 390 mm)</i>	293		
KRR040104	<input type="checkbox"/> Sideguard, carbon fibre, fender, cold weather protection, black			<i>(min rear seat height 390 mm)</i>	383		
KRR040052	<input type="checkbox"/> Single-post sideguard, armpad (330 mm), depth adjustable, height-adjustable, removable	(2)	(+)		244		
KRR040117	<input type="checkbox"/> Tubular armrest, Alu, swing away (sideways), padded, removable			(+)	245		
KRR040000	<input type="radio"/> w/o Sideguard						
FOOTREST AND FOOTPLATES							
KRR050029	<input checked="" type="radio"/> Footrest, tubular, lightweight, aluminium			(L)			
KRR050026	<input type="checkbox"/> Platform footplate lightweight angle & depth adjustable carbon				370		
KRR050125	<input type="checkbox"/> Performance footplate angle adjustable	(3)			268		
KRR050030	<input type="checkbox"/> Footrest, tubular, lightweight, aluminium, with cover				88		
KRR050025	<input type="checkbox"/> Platform footplate lightweight angle & depth adjustable composite				180		
KRR050024	<input type="checkbox"/> Platform footplate lightweight angle & depth adjustable aluminium (colour: black, matt)				180		
KRR050128	<input type="checkbox"/> Footboard, platform, plastic, angle and depth adjustable, flip-up (to the back)	(4)			196		
KRR050127	<input type="checkbox"/> Adjustable side protection, to create a side-stop on the footboard	(5)			25		
LOWER LEG LENGTH (LLL) Attention: LLL has to be 30 mm less than seat height front; all measurements in mm							
<input type="radio"/> 360 <input type="radio"/> 370 <input type="radio"/> 380 <input type="radio"/> 390 <input type="radio"/> 400 <input type="radio"/> 410 <input type="radio"/> 420 <input type="radio"/> 430 <input type="radio"/> 440 <input type="radio"/> 450 <input type="radio"/> 460 <input type="radio"/> 470 <input type="radio"/> 480 <input type="radio"/> 490 <input type="radio"/> 500 <input type="radio"/> 510							
FRAME VERSIONS							
Frame length							
KRR010206	<input checked="" type="radio"/> Frame standard						
KRR010207	<input type="radio"/> Frame long (20 mm additional frame length)			<i>(not in combination with SD 480 mm)</i>			
Frame angle							
KRR010012	<input checked="" type="radio"/> 100° frame (UK 80°)						
KRR010013	<input type="checkbox"/> 92° Performance frame (UK 88°)				141		
Frame inset							
KRR010101	<input checked="" type="radio"/> Inset: Small (10 mm)						
KRR010103	<input type="checkbox"/> Inset: Performance (30 mm)			<i>(not available for seat width 320 mm)</i>	141		
Castor position (see explanation on back pages)							
KRR010301	<input checked="" type="radio"/> Castor house position wide						
KRR010302	<input type="radio"/> Castor house position narrow						
(1)	With 24" rear wheel min. rear seat height 410 mm; with 25" rear wheel min. rear seat height 430 mm						
(2)	Only with COG 56 mm						
(3)	Not with SW 320 mm and 30 mm inset						
(4)	User weight limitation 75 kg, not with 4" castor						
(5)	Only for platform footplates lightweight angle & depth adjustable						
	(L)= lightest option (+)= adds 500 g or more to the wheelchair-weight						

CENTRE OF GRAVITY (COG) - all measurements are in mm; measured from front of back post; choose only one option

COG56	<input type="radio"/>	56 mm
COG68	<input type="radio"/>	68 mm
COG80	<input type="radio"/>	80 mm
COG92	<input type="radio"/>	92 mm
COG104	<input type="radio"/>	104 mm

**FRAME ACCESSORIES**

KRR090031	<input type="checkbox"/>	Suspension up to 70 kg	(1) (+)	(chair will be built using aluminium axle-stems and axle-tube)	546			
KRR090032	<input type="checkbox"/>	Suspension up to 120 kg	(1) (+)	(chair will be built using aluminium axle-stems and axle-tube)	546			
Anti tip flip up (user operated) (2)								
KRR090033	<input type="radio"/>	Left	KRR090008	<input type="radio"/>	Right	(+)	(Please choose only one)	
Tip assist (step tube) (2)								
KRR090001	<input type="checkbox"/>	Left	KRR090002	<input type="checkbox"/>	Right			34
KRR090003	<input type="checkbox"/>	Pair				(+)	(not available with anti-tip)	68
KRR090009	<input type="checkbox"/>	Crutch holder					(only in combination with tip assist)	81
Anti-tip tubes swing-away (2)								
KRR090004	<input type="checkbox"/>	Left	KRR090005	<input type="checkbox"/>	Right	(+)		106
KRR090006	<input type="checkbox"/>	Pair				(+)	(not available with tip-assist)	213
KRR090007	<input type="checkbox"/>	Quickie style anti-tip tubes pluggable				(2) (+)	(Pair)	88
KRF090016	<input checked="" type="checkbox"/>	Frame protection, black					(textile, with velcro)	
KRR090577	<input type="checkbox"/>	Frame protection, Plastic, glued to the frame, black						81
KRR090010	<input type="checkbox"/>	Transit wheels				(2) (+)		234

FORKS

KRR080013	<input type="radio"/>	Castor fork, Carbotecture®, 111mm				(L)							
Colour:	<input checked="" type="radio"/>	Black	<input type="radio"/>	Silver	<input type="radio"/>	Orange	<input type="radio"/>	Red	(3)	<input type="radio"/>	Blue	(3)	
KRR080029	<input type="radio"/>	Castor fork, Aluminium, 123mm											
Colour:	<input checked="" type="radio"/>	Black	<input type="radio"/>	Silver	<input type="radio"/>	Orange							
KRR080008	<input type="checkbox"/>	Castor fork, aluminium, one-arm										(only with 4" & 5" Alu soft, Alu solid)	204
Colour:	<input checked="" type="radio"/>	Black	<input type="radio"/>	Silver	<input type="radio"/>	Orange	<input type="radio"/>	Red		<input type="radio"/>	Blue		
KRR080007	<input type="checkbox"/>	Castor fork, aluminium, suspension (Frog Legs®), black										(+)	342

CASTORS

KRR080306	<input type="radio"/>	Castor, solid (soft), rim: aluminium										(only 4" and 5")	
Colour, rim:	<input checked="" type="radio"/>	Silver	<input type="radio"/>	Black	<input type="radio"/>	Orange	<input type="radio"/>	Red		<input type="radio"/>	Blue		
KRR080304	<input type="radio"/>	Castor, solid (hard), rim: aluminium	Colour, rim: Silver									(only 4" and 5")	
KRR080301	<input type="checkbox"/>	Castor, solid (hard), rim: composite, black										(3"-6", not with One arm fork)	96
KRR080302	<input type="checkbox"/>	Castor, solid (soft), rim: composite, black										(only 5" and 6", not with One arm fork)	96

REAR WHEELS

KRR070003	<input type="radio"/>	Rear wheel, Lightweight, 24 spokes (silver), straight spokes										(Std.: black hub/rim; colour options last page)	
KRR070004	<input type="checkbox"/>	Rear wheel, Proton, 24 spokes (black), straight spokes								(L)		(user weight limit 100kg)	262
KRR070005	<input type="checkbox"/>	Rear wheel, Spinergy, 18 spokes (black), straight spokes; hub: silver											529
KRR070007	<input type="checkbox"/>	Rear wheel, Spinergy, 12 spokes (black), straight spokes, hub black											815
KRR070000	<input type="radio"/>	Without rear wheel											

(1): Not possible with carbon axle-stems and axle: chair will be built with aluminium axle-stems and axle-tube**(2):** Not with KRR07049: camber adapter 0°, superlight.**(3):** Red and blue only in combination with soft castor**(L)**= lightest option **(+)**= adds 500 g or more to the wheelchair-weight

			£
TYRES			(choose only one tyre type)
KRR070107	<input type="radio"/> Tyre, pneumatic, slick, Schwalbe One	(L)	
KRR070102	<input type="radio"/> Tyre, puncture proof, tread	(+)	
KRR070104	<input type="checkbox"/> Tyre, pneumatic, puncture proof, tread, Schwalbe Marathon Plus Evolution	(+)	105
KRR070101	<input type="checkbox"/> Tyre, pneumatic, fine profile, Schwalbe Right Run		(not in 25") 131
HANDRIMS			
KRR070201	<input type="radio"/> Handrims, aluminium, powder-coated, clear	(L)	
KRR070202	<input type="radio"/> Handrims, aluminium, anodised, silver	(L)	
KRR070203	<input type="checkbox"/> Handrims, aluminium, powder-coated, coloured	(L)	(select colour on back pages, charged once) 73
KRR070212	<input type="checkbox"/> Handrims, Ellipse 3R, black	(+)	(ergonomic handrims with rubber-strip) 215
KRR070204	<input type="checkbox"/> Handrims, stainless steel, silver	(+)	131
KRR070205	<input type="checkbox"/> Handrims, titanium, untreated		224
KRR070206	<input type="checkbox"/> Handrims, titanium, powder-coated, clear		224
KRR070207	<input type="checkbox"/> Handrims, Supergrip®	(+)	268
KRR070208	<input type="checkbox"/> Handrims, Maxgrepp®	(+)	(only 24") 268
KRR070250	<input type="checkbox"/> Handrim cover, rubber		(not with 25") 109
Hand rim mounting			
KRR070317	<input checked="" type="radio"/> Handrim mount, narrow (17 mm)		
KRR070307	<input type="radio"/> Handrim mount, super narrow (7 mm)		(only with stainless steel)
KRR070327	<input type="radio"/> Handrim mount, wide (27 mm)		
WHEEL CAMBER			(choose only one option)
KRR070049	<input type="radio"/> 0° superlight, no width-adjustment	(1) (L)	
KRR070600	<input type="radio"/> 0° width-adjustment +/-15mm		
KRR070603	<input type="radio"/> 3° width-adjustment +/-15mm		
WHEEL LOCKS (Choose only one option)			
KRR060003	<input type="radio"/> Compact wheel lock	(2) (L)	
KRR060001	<input type="radio"/> Standard wheel lock		
KRR060004	<input type="checkbox"/> Lightweight Compact wheel lock		174
KRR060002	<input type="checkbox"/> Knee lever wheel lock		68
KRR060010	<input type="checkbox"/> Extension for knee lever wheel lock, slip-on, swing-away		(only with KRR060002) 46
KRR060006	<input type="checkbox"/> One arm wheel lock (left hand actuation)	(+)	183
KRR060007	<input type="checkbox"/> One arm wheel lock (right hand actuation)	(+)	183
ACCESSORIES			
KRR090000	<input checked="" type="radio"/> Tool kit		
KRR090024	<input checked="" type="radio"/> High pressure pump		
KRR090025	<input type="checkbox"/> Air pump		26
KRR090026	<input type="checkbox"/> Mobile phone pocket		65
KRR090030	<input type="checkbox"/> Back pack		92
(1):	Camber adapter glued into the axle-tube. No adjustment of the track-width possible.		
(2):	Adjustment of COG ± 2 cm on a chair in the field.		
	(L)= lightest option (+)= adds 500 g or more to the wheelchair-weight		

COLOURS FOR HANDRIMS

	Handrim (1) £73	Hub/Rim £262		Handrim (1) £73	Hub/Rim £262
02 Brilliant Silver	<input type="checkbox"/>		27 Graphite metallic	<input type="checkbox"/>	
03 Silver Matt	<input type="checkbox"/>		29 Black	<input type="checkbox"/>	<input type="checkbox"/>
06 Sun Yellow	<input type="checkbox"/>		31 Matt Black	<input type="checkbox"/>	<input type="checkbox"/>
14 Blue	<input type="checkbox"/>	<input type="checkbox"/>	32 Signal White	<input type="checkbox"/>	
15 Brilliant Marine	<input type="checkbox"/>		33 Pink	<input type="checkbox"/>	
16 Matt Marine	<input type="checkbox"/>		34 Dark Chocolate Metallic	<input type="checkbox"/>	
19 Brilliant Purple	<input type="checkbox"/>		35 Skyblue	<input type="checkbox"/>	
21 Red Ruby	<input type="checkbox"/>		36 Cyan-Metallic	<input type="checkbox"/>	
22 Brilliant Red	<input type="checkbox"/>	<input type="checkbox"/>	37 Marsred (Orange)	<input type="checkbox"/>	
23 Matt Red	<input type="checkbox"/>	<input type="checkbox"/>	40 Kiwi	<input type="checkbox"/>	
24 Tutti Frutti Orange	<input type="checkbox"/>		41 Flamingo-Glitter	<input type="checkbox"/>	
46 Mamba Green	<input type="checkbox"/>		42 Matt-Anthracite	<input type="checkbox"/>	

FRAME-COLOURS

(Not including axle or backrest)

KRR100139	<input type="radio"/>	Natural Carbon, no coating	
KRR100137	<input type="radio"/>	Transparent, gloss	
KRR100138	<input type="radio"/>	Transparent, matt	
KRR100122	<input type="radio"/>	Black (gloss)	
KRR100123	<input type="radio"/>	Matt black	

FRAME-GRAPHICS "Flying Pixel" (scratch resistant, non-removeable, includes the "Krypton" sticker)

KRR100590	<input type="checkbox"/>	Frame graphics Flying Pixel, silver	65
KRR100591	<input type="checkbox"/>	Frame graphics Flying Pixel, red	65
KRR100592	<input type="checkbox"/>	Frame graphics Flying Pixel, blue	65

COLOUR STICKERS "QUICKIE" and "Krypton" (3)

KRR100550	<input type="radio"/>	Black	
KRR100551	<input type="radio"/>	Silver	
KRR100552	<input type="radio"/>	Orange	
KRR100553	<input type="radio"/>	Red	
KRR100554	<input type="radio"/>	Blue	

COLOURS FOR LIGHTWEIGHT WHEELS 24" (4)

KRR100336	<input type="radio"/>	Rear wheel, lightweight anodised, orange (4)	
KRR100337	<input type="radio"/>	Rear wheel, lightweight anodised, blue (4)	
KRR100338	<input type="radio"/>	Rear wheel, lightweight anodised, red (4)	

Comments for special build:**Krypton R - Base Price****£3,995****Option price****Total Price**

(1) only with KRR070203, handrim aluminium, powder coated

(3) No choice possible when frame graphics "Flying Pixel" are chosen.

(4) Anodised colours for hub and rim, black spokes. Only with light weight wheel in 24"

WEIGHT

We want to be very transparent on weight. The following information will be a guide to the lightest possible Krypton R: how to achieve a 6.2 kg wheelchair, and how to order the lightest possible configuration for your Krypton R

Krypton R: 6.2 kg configuration Transport weight: 3.7 kg

Frame: high frame, 92°, 30 mm inset, seat width: 360 mm, seat depth: 400 mm. Seat height: front 470 mm, rear 420 mm. Seat-sling Airflow superlight.

Wheel-lock : lightweight compact wheel-lock

Footrest: tubular footrest



Backrest: Carbon backrest, EXO superlight backrest-upholstery, without push-handles

Sideguards: Carbon fibre, slim-style

Rear wheels: 24" Proton wheels with Aluminium handrims (coated or anodized) and Schwalbe One tyres

Forks and castors: 111 mm carbotechnology fork, 3" castor

Please mind that there is a 5% tolerance on all weight specifications due to weight deviations on mounting parts (tyres, castor-wheels etc.)

LIGHTWEIGHT-GUIDE FOR ORDERING THE KRYPTON R

Sunrise Medical offers a wide variety of options for the Krypton R to suit every user's needs. However, most options add significant weight to the wheelchair. To make this more transparent when filling in the order-form, and to assist you in ordering the lightest possible wheelchair, we indicate the approximate weight-increase of the options on the order form:

- (L)** indicates the lightest possible option within the range of options
- (+)** indicates that this option adds more than 500 g to the wheelchair's weight compared to the lightest option within the range

LIGHTWEIGHT OPTIONS FOR THE KRYPTON R

We developed several options for the Krypton R to save weight on the chair without sacrificing daily-use suitability, comfort or durability



Carbon backrest (KRR030006): full carbon backrest with very close cross-tube (20mm crosstube to backrest-upholstery) (-100 g compared to Standard backrest)



Seat sling "airflow" superlight (KRR020019): fully adjustable seat-sling with composite buckles and lighter straps (max. user weight 85 kg) (-100 g compared to seat sling "airflow")



EXO superlight (KRR030005): lightweight version of the EXO backrest upholstery. EVA-foam padding, adjustable straps, wider cut of the upholstery to cover backrest tubes. (-160 g compared to Std. EXO backrest-upholstery)



Axle-plug superlight (KRR070049): (only 0° camber): glued into the axle-tube, no adjustability of the track-width possible (-160 g compared to width-adjustable axle-plug KRR070600 / 603)

Please follow this measuring method:

The following method is recommended on the basis of extensive practical experience. Deviations are possible in individual instances.

Seat width (SW):

- a) *For the user:* Allow space between sideguard and hip on each side of the chair (approx. 10 - 20 mm altogether)
- b) *On the wheelchair:* From outside frame tube to outside frame tube.

Seat depth (SD):

- a) *For the user:* When sitting upright: leave space for 2 - 3 fingers between front edge of the seat upholstery and back of knee (approx. 30 - 60 mm). Care must be taken with adj. upholstery.
- b) *On the wheelchair:* From back tube to front of seat upholstery.

Front seat height:

- a) *For the user:* When sitting with 90° knee angle: From back of knee to bottom of shoe sole.
- b) *On the wheelchair:* From front of seat tube to the ground. (min. 30 mm longer than user measurement) Remember to include the cushion height.

Rear seat height:

- b) *On the wheelchair:* From back of seat tube to the ground.
Note: Max. seat height difference rear to front is 130 mm

Back height:

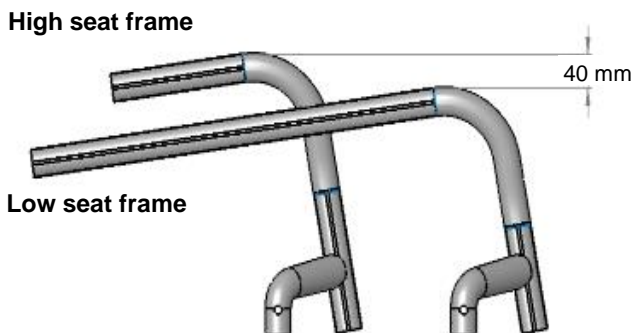
- a) *For the user:* From the seat, including cushion, to be no more than 10 - 20 mm below the lower shoulder blade.
- b) *On the wheelchair:* From back of seat tube to upper edge of backrest upholstery.
Note: The user's ability to sit upright has a major influence on the back height and it can therefore differ considerably

Back angle:

Important: The back height depends on the degree of disability. 0° is the angle 90° to the seat. Negative angles are <90° and positive angles are >90°.

Low Seat Frame vs. High Seat Frame:

The high frame is 40 mm higher than the low frame. So you can choose shorter and lighter forks to minimise the weight of your wheelchair.



Technical Data Overview:

Max. overall height:	950 mm	Max. overall width:	Camber	24" rear wheel	25" rear wheel
Max. overall length:	930 mm		For 0° camber:	SW + 170 mm	SW + 170 mm
Max. turning circle:	700 mm		For 3° camber:	SW + 230 mm	SW + 240 mm
Max. safe slope:	7°				
Wheelchair weight:	from 6.2 kg				
Dismantled weight:	from 3.7 kg				
Weight of heaviest part:	2.1 kg				

All changes in the configuration might change the seat heights.
Manufacturing tolerances are +/- 10 mm for all measurements.

SEAT UPHOLSTERIES AND CUSHIONS



KRR020012 Seat sling, airflow



KRR020019 Seat sling, airflow, superlight

BACKREST



*KRR030006
Carbon Backrest*



*KRR030102
Backrest, angle-adjustable, lock when folded*



*KRR030201
Push handles long*



*KRR030203
Push handles, fold-down*



*KRR030204
Push handles, height-adjustable*



*KRR030316
EXO backrest sling*

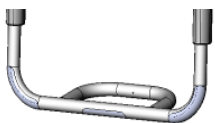


*KRR030317
EXO PRO backrest sling*



*KRR030005
EXO superlight backrest sling*

FOOTREST AND FOOTPLATES



*KRR050029
Tubular footrest lightweight*



*KRR050025
Platform footrest LW composite plate*



*KRR050026
Platform footrest LW carbon plate*



*KRR050125
Performance footrest alu angle adj*



*KRR050127
Foot positioning plate*

SIDEGUARD & ARMREST



KRR040101 Slim style sideguard



KRR040104 Carbon fibre, cold weather protection, fender



KRR040107 Sideguard, composite, removable (black)



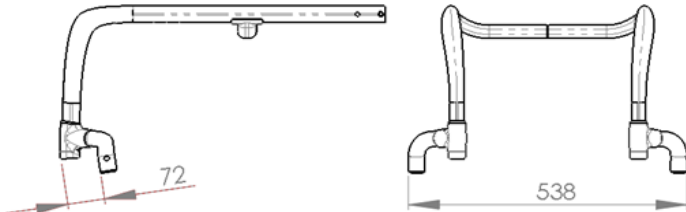
KRR040117 Tubular armrest, swing away,



KRR040052 Single-post sideguard, armrest (33 cm)

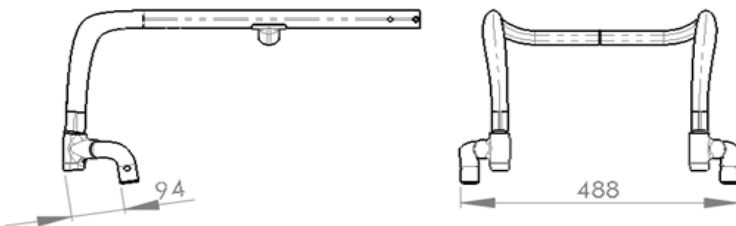
FRAME VERSIONS: CASTOR HOUSE POSITIONS

Position wide:



Further to the front and wider position of the castors for optimised rolling resistance

Position narrow:



20 mm further rearwards and 20 mm per side more narrow position of the castors for a more narrow front-end and improved manoeuvrability in tight spaces



KRR010301 Castor house position wide



KRR010302 Castor house position narrow



Castor house position wide vs. narrow

FRAME ACCESSORIES



KRR090032
Suspension



KRR090001
Tip assist



KRR090004
Anti-tip tubes SA



KRR090007
Quickie style anti tip tubes pluggable



KRR090033
Anti tip flip up (user operated)



KRR090010
Transit Wheels



KRR090010
Frame protection, Plastic, glued to the frame, black

FORKS



KRR080013 & KRR080306
Castor fork, Carbotecture & Castor solid (soft) aluminum



KRR080008
Castor fork, aluminum, one-arm, red

REAR WHEELS & HANDRIMS



KRR070001



KRR070002



KRR070003
Lightweight wheel



KRR070004
Proton wheel



KRR070211
Handrims Surge®



KRR070208
Handrims Maxgrepp

TYRES



KRR070101
Schwalbe Right Run



KRR070107
Schwalbe One



KRR070104
Schwalbe Marathon Plus



KRR070102
Tyre, puncture proof

WHEEL LOCKS



KRR060001
Standard brake



KRR060002
Knee lever brake



KRR060003
Compact brake



KRR060004
Lightweight Compact brake

FRAME COLOURS



1. *Transparent, gloss*
2. *Transparent, matt*
3. *Black, gloss*
4. *Black, matt*

FRAME GRAPHIC "FLYING PIXELS"



From left to right:

- *Frame graphics Flying Pixel, red*
- *Frame graphics Flying Pixel, silver*
- *Frame graphics Flying Pixel, blue*

24 " LIGHT WEIGHT WHEEL COLOURS



*KRR100336
Lightweight wheel, anodized orange*



*KRR100337
Lightweight wheel, anodized blue*



*KRR100338
Lightweight wheel, anodized red*